

**BALDOR® • RELIANCE** 

**Product Information Packet**

**ZDPM18020C-BV**

**20HP,1800RPM,3PH,60HZ,1844C,TEBC,FOOT,**

Part Detail							
Revision:	D	Status:	PRD/A	Change #:		Proprietary:	No
Type:	AC	Elec. Spec:	PM3925A	CD Diagram:	422927-001	Mfg Plant:	
Mech. Spec:		Layout:	617232-329	Poles:	04	Created Date:	04-09-2015
Base:		Eff. Date:	10-24-2019	Leads:			

Specs			
Catalog Number:	ZDPM18020C-BV		
Enclosure:	TEBC		
Frame:	FL1844C		
Frame Material:	Aluminum		
Output @ Frequency:	20.000 HP @ 60 HZ		
Synchronous Speed @ Frequency:	1800 RPM @ 60 HZ		
Voltage @ Frequency:	460.0 V @ 60 HZ		
Agency Approvals:	CCSA US		
Auxillary Box:	No Auxillary Box		
Base Indicator:	Rigid		
Bearing Grease Type:	No Grease		
Current @ Voltage:	21.700 A @ 460.0 V		
Duty Rating:	CONT		
Feedback Device:	TACHOMETER		
Frame Prefix:	FL		
Heater Indicator:	No Heater		
Insulation Class:	H		
Mounting Arrangement:	F3		

<b>Product Family:</b>	General Industrial		
<b>Pulley End Bearing Type:</b>	Ball		
<b>Pulley Face Code:</b>	C-Face		
<b>Shaft Ground Indicator:</b>	No Shaft Grounding		
<b>Shaft Rotation:</b>	Reversible		
<b>Motor Standards:</b>	NEMA		
<b>Thermal Device - Bearing:</b>	None		
<b>Thermal Device - Winding:</b>	Normally Closed Thermostat		

Nameplate 000613006NS												
	<b>DUTY</b>		<b>HP</b>		<b>RPM</b>		<b>AMPS</b>		<b>VOLTS</b>		<b>HZ</b>	
	CONT		20		1800		21.7		460		60	
	CONT		20		3000		20.7		460		100	
<b>CAT.NO.</b>	ZDPM18020C-BV				<b>SPEC. NO.</b>	P18M0503						
<b>SER.NO.</b>					<b>FR</b>	FL 1844C		<b>INSUL</b>	H			
<b>PH.</b>	3		<b>MAX SAFE SPEED</b>	7200			<b>AMB.</b>	40			<b>MIN. AMB.</b>	-25
<b>DESIGN NO.</b>	PM3925A				<b>TYPE</b>							
<b>S.F.</b>	1.0				<b>D.E. BRG.</b>	45BC02JPP30A						
<b>ENCL MOD</b>					<b>O.D.E. BRG.</b>	35BC02JPP30A						

Nameplate 000692000VY		
IS	<input type="text"/>	MEAS OPEN CIRCUIT VOLTAGE
		VOLTS AT <input type="text"/>
		MTR PH CURRENT SHOULD NOT
EXCEED	<input type="text"/>	AMPS RMS PEAK TO
		RPM.
AVOID DEMAGNETIZATION		

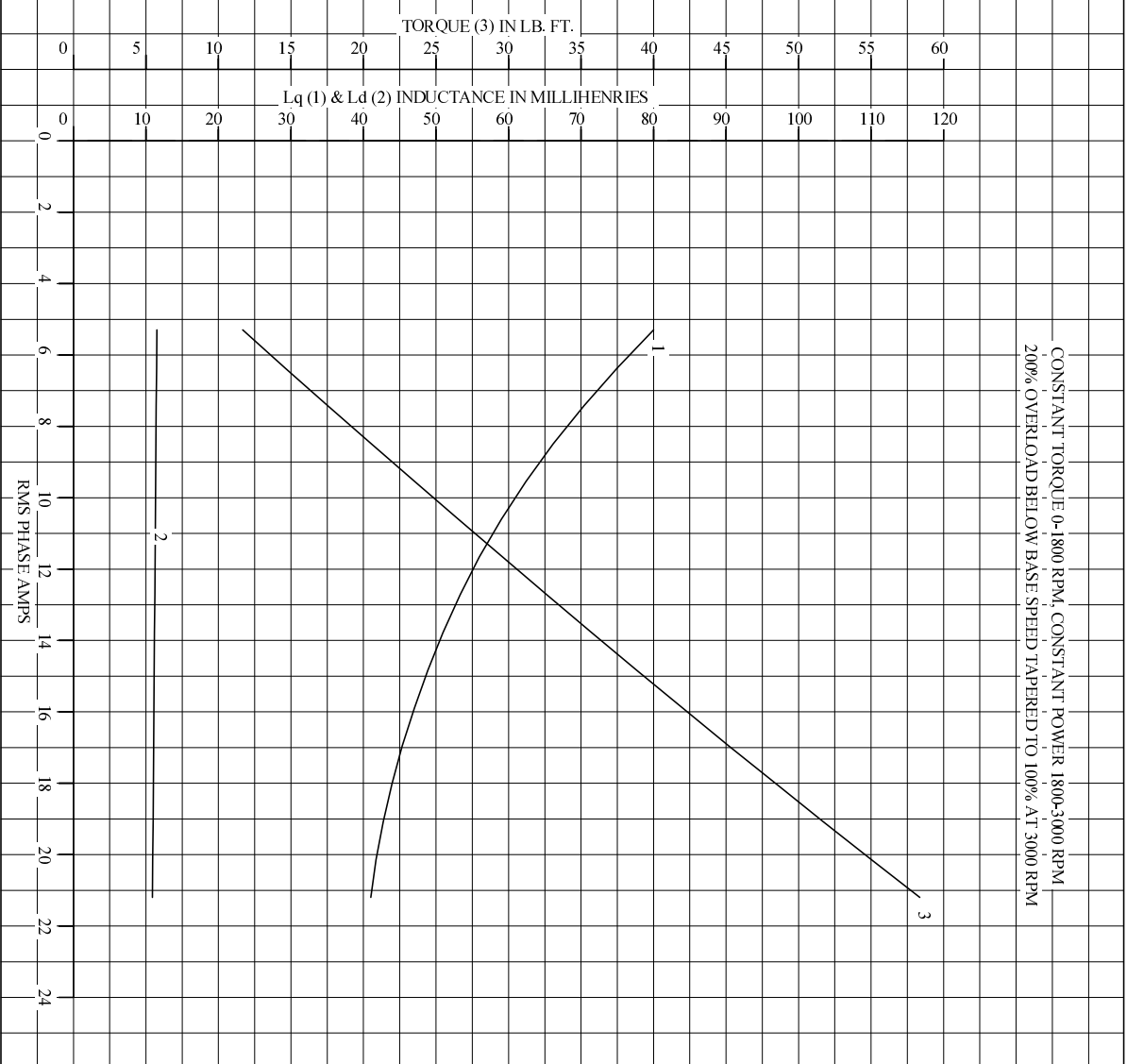
Parts List		
Part Number	Description	Quantity
WS286792	WS P18M0503	1.000 EA
RA283000	RA P18M0503	1.000 EA
000692000FP	NP, WARNING LIFT INSTRUCTIONS	1.000 EA
418057747A	METAL FASTENER	8.000 EA
000613006NS	RPM AC WITH CERTIFIED LOGO	1.000 EA
000692000NH	LABEL DIRECTION AIR FL	1.000 EA
000692000VY	PERMANENT MAGNET MOTOR NAMEPLATE	1.000 EA
411716004A	219P039 - 219P039 - LA	1.000 EA
418056062A	NP AC BLOWER DATA	1.000 EA
422927001	C/D LABEL	1.000 EA
032003168CB	THRU BOLT	4.000 EA
033102012AG	HXNUT LEAD CONN	4.000 EA
034017012AB	LCKW 1/4 STD. PLATED 034017012AF	4.000 EA
036000050JB	M8-1,25 X 50 MHHCS	2.000 EA
400638001D	WAVEN ( Customer number 43699)	1.000 EA
411693051B	LUG, LIFTING	2.000 EA
HA4054	SHORT T-DRAIN FITTING, .125" N.P.T.	1.000 EA
HA4054	SHORT T-DRAIN FITTING, .125" N.P.T.	1.000 EA
807580002BAA	BRKT,DE,FL181 807580-1WCC	1.000 EA
807580003AAB	BRKT,ODE180AC 807580-1WCC	1.000 EA
036000012HB	HHCS M6X12MM LONG PLATED	2.000 EA
036000045JB	M8-1.25 X 45MM HXHCS	4.000 EA
418010006A	CAST,MPLATE,180-280,EX1,7BY	1.000 EA
036000012HB	HHCS M6X12MM LONG PLATED	3.000 EA

Parts List (continued)		
Part Number	Description	Quantity
036620009AB	M8 EXTERNAL LK WASHER	1.000 EA
036310010FB	RHMS TERM/BLK MTG	2.000 EA
418057461B	PLATE, ENCODER	1.000 EA
036320008CB	M2.5 SCREW	4.000 EA
036500006AB	M4-0.7 METRIC HEX NUT	2.000 EA
065530000B	GASK	1.000 EA
075451000A	COVER, CONDUIT BOX	1.000 EA
406673002C	.75 CAP PLUG	2.000 EA
415000103G	TLUG	1.000 EA
422962051BW	STUB SHAFT	1.000 EA
800123015A	RESOLVER DYNAPAR	1.000 EA
417733001A	GSK C/ BOX BASE	2.000 EA
418018074A	GROUND LABEL G100 METRIC 160 D.C.	1.000 EA
418057260A	SCREW PHILLIPS PAN HD	4.000 EA
418057373A	SCREW SHEET METAL	3.000 EA
613450011A	BLMTR SQ AC 210	1.000 EA
706320003A	CONDUIT BOX	1.000 EA
807505050B	SHROUD, FAN/BLOWER	1.000 EA
807505051A	GRILL, FAN COVER	1.000 EA
418057243A	GROOVE PIN	1.000 EA
807504052C	FL180 FRAME	1.000 EA
000640000P	TAG WINDING THERMOST	1.000 EA
004824007K	SPECIAL PAINT	0.100 EA
034180022FA	KEY 3/8X3/8X2-3/4 L	1.000 EA



S.O. 0	VOLTS 460	TYPE IPM	STATOR RES. @ 25 °C .4902
FRAME F11844	AMPS 21.2	ENCLOSURE TEBC	OHMS (BETWEEN LINES)
HP 20	DUTY CONT	MAX SAFE RPM 7200	
BASE SPEED 1800	S.F. 1.0	WK <sup>2</sup> (lb-Ft <sup>2</sup> ) .77	
PHASE/HERTZ 3/60	AMB °C/INSUL 40/H	MAX INSTANTANEOUS OVERLOAD AMPS 63.6	

**Lq, Ld, & Torque vs. RMS Phase Amps**



REMARKS : TYPICAL DATA

<b>BALDOR</b>	DR. BY _____ CD _____	<b>IPM MOTOR</b>	
	CK. BY _____ RM _____		<b>PERFORMANCE</b>
	APP. BY _____ RM _____		
DATE 4/23/10	ISSUE DATE 4/23/10		

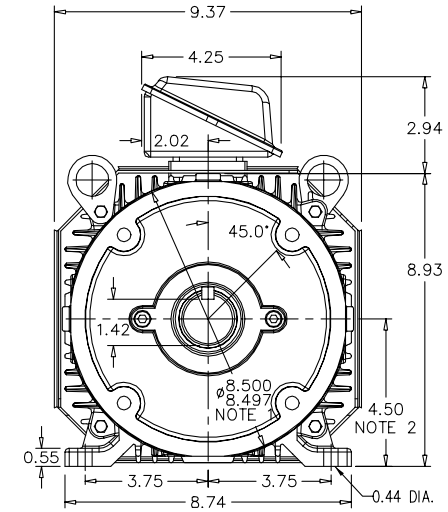
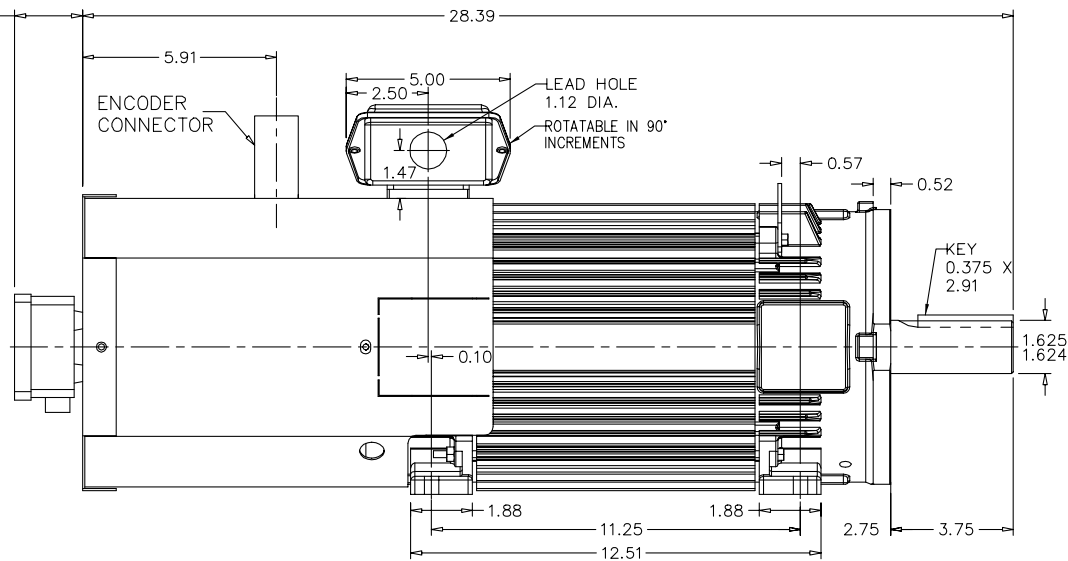
617232-329

RPM-AC FINNED FRAME VARIABLE SPEED ALTERNATING CURRENT MOTOR  
FL1844CZ

ENCLOSURE: TOTALLY ENCLOSED  
MOUNTING: FOOT / NEMA 250TC C-FACE  
DRIVE METHOD: COUPLED OR BELTED

COOLING: BLOWER COOLED  
ACCESSORIES: ENCODER

2.07  
MIN.  
AIR  
SPACE



NOTE 1: C-FACE & TACHOMETER MOUNTING  
1/2-13 TAP, 1.00 DEEP, ON A 7.25 DIA. BOLT CIRCLE  
FACE RUNOUT AND ECCENTRICITY 0.004 MAX. T.I.R.

NOTE 2: SHAFT HEIGHT WILL NOT BE EXCEEDED  
SHIMS UP TO 0.03 INCHES IN THICKNESS ARE USUALLY  
REQUIRED FOR COUPLED OR GREARED MACHINES

TERMINAL BOX MAY BE LOCATED F1 OR F2 IF SPECIFIED  
40 AMP STEEL TERMINAL BOX SHOWN  
REFER TO 616779-50 FOR SPECIFIED TERMINAL BOX DIMENSIONS

MOTOR WEIGHT: 180 LBS. (MAY VARY 15%)  
DIMENSIONS ARE IN INCHES SCALE: 1.00

CUSTOMER IS RESPONSIBLE FOR DETERMINING THAT THIS PRODUCT WILL PERFORM SUITABLY IN THE INTENDED APPLICATION.

REV. DESC: CHANGE TO GENERIC CONNECTOR AND ENCODER		
REV. LTR: B	VERSION: 02	TDR: 00000984829
FILE: \RGG\00025\784	REVISED: 09:17:50 06/27/2016	BY: RGGWT
MTL: -		

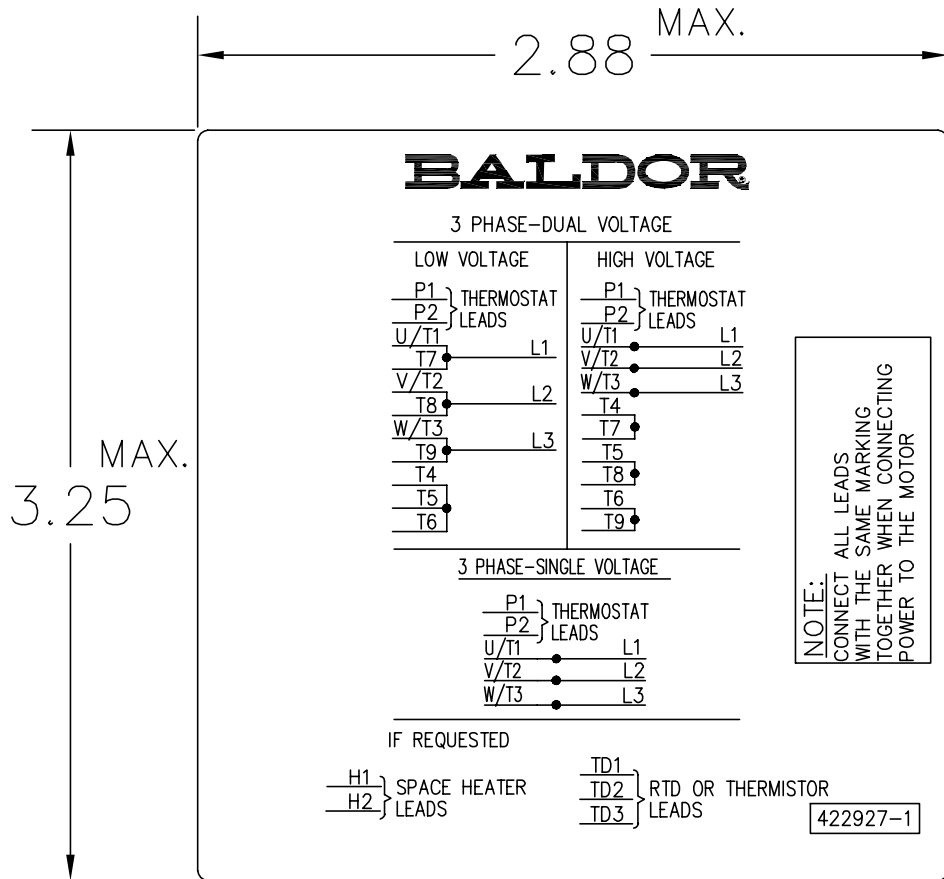
**BALDOR**

DIM SHT,RPMAC,TEBC,FL1844CZ,ENCODER  
SH 1 of 1

617232-329



422927-001



NOTE:  
DATA TO BE SIZED  
SO THAT IT FITS INTO  
MATERIAL DECAL  
DIMENSIONS. MAKE  
LETTERS & NUMBERS  
AS LARGE AS POSSIBLE.

MATERIAL: CERAMATIC DGF-P4  
PERMA GRIP ADHESIVE

ALL LETTERS, NUMBERS  
AND LINES TO BE BLACK  
ON WHITE BACKGROUND.

NOTE:  
CONNECT ALL LEADS  
WITH THE SAME MARKING  
TOGETHER WHEN CONNECTING  
POWER TO THE MOTOR

422927-001

REV. DESC: CHANGE BACKGROUND COLOR FROM GOLD TO WHITE		
REV. LTR: B	VERSION: 02	TDR: 000000788708
FILE: \RGG\00000\203	REVISED: 08:09:29 03/04/2013	
MTL: -	BY: RGGWT	

**BALDOR**

EXTERNAL CONNECTION LABEL

SH 1 of 1

Marketing maintained PDF of MN406:

<http://www.baldor.com/support/Literature/Load.ashx/MN406?ManNumber=MN406>